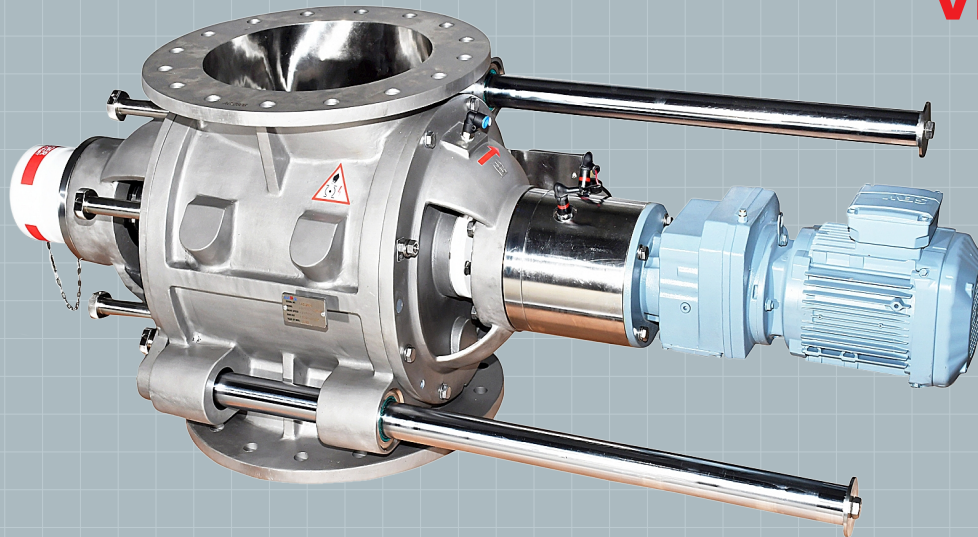


Rotary Valve

DT-DCSR VER 2.0



ROTARY VALVE

Our range of **DCSR VER 2.0** Rotary Valves has been designed for Pneumatic Conveying and metering the products in powder, granular and pellet form.

A wide range of Rotary Valves is available for use in Dairy, Food, Pet Food, Pharmaceutical and other dry bulk material handling application.

Our Rotary Valves come with easy detachable Rotor and End Cover to perform quick cleaning.

A big advantage of this Ver 2.0 Rotary Valve is that rotor can be easily rotated for cleaning when it is pulled out.

FEATURES :

- Good throat opening and angle ensures maximum filling efficiency
- Reduced air leakage
- ATEX rated
- 10 bar pressure shock resistance
- USDA Approval
- EHEDG Approval
- Construction in Stainless Steel 316
- Supporting slide rails for easy removal of rotor and end cover
- Hygiene valve
- Increased safety at work
- Product contact surfaces are polished to 0.8 μm (150 grit) finish
- Rotor can be rotated for easy cleaning
- Alignment of rotor back into the drive end has been made easier.
- Dairy Sanitary Seals

PRODUCT DETAILS

The standard Rotary Valve has fixed 8 bladed rotor with U-Shaped pockets.

We provide different kinds of shaft sealings depending upon the product and application.

The **Rotary Valve** is supplied with optional features like pressure regulator, flow meter, inlet restrictor and pick up shoes if required for the application.

OPTIONS :

- Chain & Direct Drives
- Air Purge Dairy
- Zero Speed Sensor
- Rotor Interference Sensor (RIS)
- High Temperature
- Product Contact Surface Polished to 0.4 μm

DESIGN :

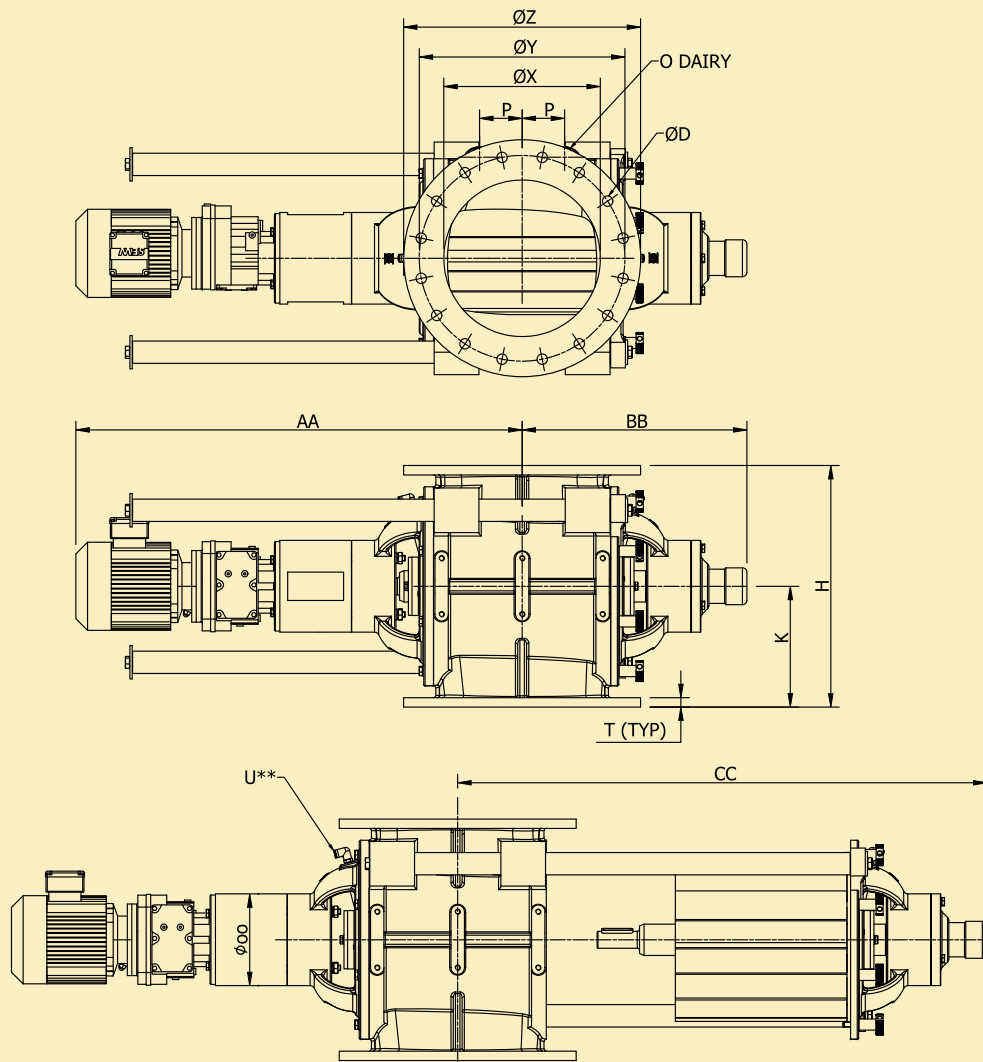
- Sizes from 150 to 350 mm
- DIN /ANSI /JIS drilling patterns
- Operating temperature up to 150 deg C.
- Designed for Lean Phase Conveying

APPLICATION :

- ❖ Pressure
- ❖ Vacuum
- ❖ Gravity Feeding and Metering

Rotary Valve

DT-DCSR VER 2.0



Type DT	Swept Volume in M ³	DIN			$\varnothing Z$	H	K	P	T	U** (BSP)	O Dairy (UNEF)	AA ~	BB ~	CC ~	$\varnothing OO$	Type SEW
		$\varnothing X$	$\varnothing Y$	$\varnothing D$												
150	0.003	150	240	8x $\varnothing 23$	285	280	140	40	12	1/4"($\varnothing 10$)	1 1/8"	815	320	760	120	RF37
175	0.006	175	270	8x $\varnothing 23$	315	330	165	53	14	1/4"($\varnothing 10$)	1 1/8"	860	370	880	120	RF37
200	0.011	200	295	8x $\varnothing 23$	343	390	195	65	14	1/4"($\varnothing 10$)	1 1/8"	1015	420	1130	160	RF47
250	0.019	250	350	12x $\varnothing 23$	406	450	225	75	16	1/4"($\varnothing 10$)	1 1/8"	1035	510	1190	160	RF47
300	0.034	300	400	12x $\varnothing 23$	483	540	270	95	21	3/8"($\varnothing 10$)	1 1/8"	1060	620	1430	200	RF57
350	0.058	350	460	16x $\varnothing 23$	530	660	330	112	26	3/8"($\varnothing 10$)	1 1/8"	1215	730	1670	200	RF67

**Air purge connection
All dimensions are in mm.

Note: We reserve the rights to modify the dimensions without prior notice.

Marketed by

AIRLOCK INDIA PVT. LTD.

1/15-8, Ponnandampalayam,
Arasur - Annur Road, Thennampalayam,
Coimbatore - 641 659, Tamilnadu, INDIA
Phone : +91 (422) 6678535
Email : sales@airlockintl.co.in
Web : www.airlockintl.co.in

